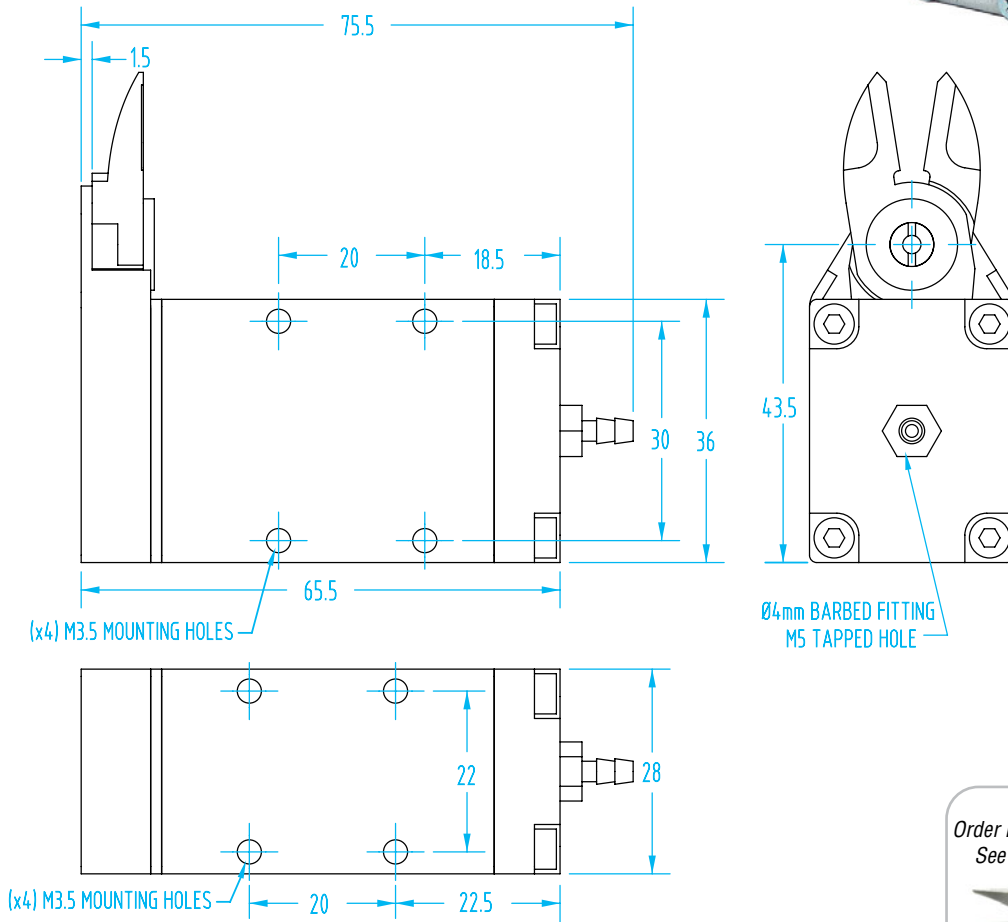


NF10 – Stationary Nippers

(Dimensioned drawings shown full scale)



Order Blades Separately  
See page 932-933

NF10 - Stationary Nipper

Quick#	Part#	Price	Reference Model	Weight	Air Cons. Cm <sup>3</sup> /stke	Supply Press. (psi)	Max. Cutting Cap. Ø (mm)	
							Soft Plastic	Hard Plastic
1861	GSN-NF10	\$257.00	GT-NF10	143g	63	58-73	3.5	2.3

Hard to find M3.5 mounting screws on page 1077.